



8 pt. 24VDC Output Sinking Module

Module Specifications	
Number of Outputs	8 sinking
Peak Voltage	50.0 VDC
Maximum Steady State Output Current	0.5A per output, 1.2A max per module @ 60°C
Maximum Leakage Current	100µA @ 50 VDC @ 60°C
ON Voltage Drop	1.3 VDC @ 0.5A
Maximum Inrush Current	1.0A for 10ms
OFF to ON Response	< 2µs
ON to OFF Response	<10µs
Status Indicators	Red LED for each output
+V Terminals & Commons	One V+, 2 Common
Short Circuit Protection	1.4 Amp per module, turns off outputs upon short circuit detection
Base Power Required (3.3V)	40mA, all outputs on
Optical Isolation	2500 Volt
Wires	1 of 14 AWG, 2 of 18 AWG, 4 of 22 AWG

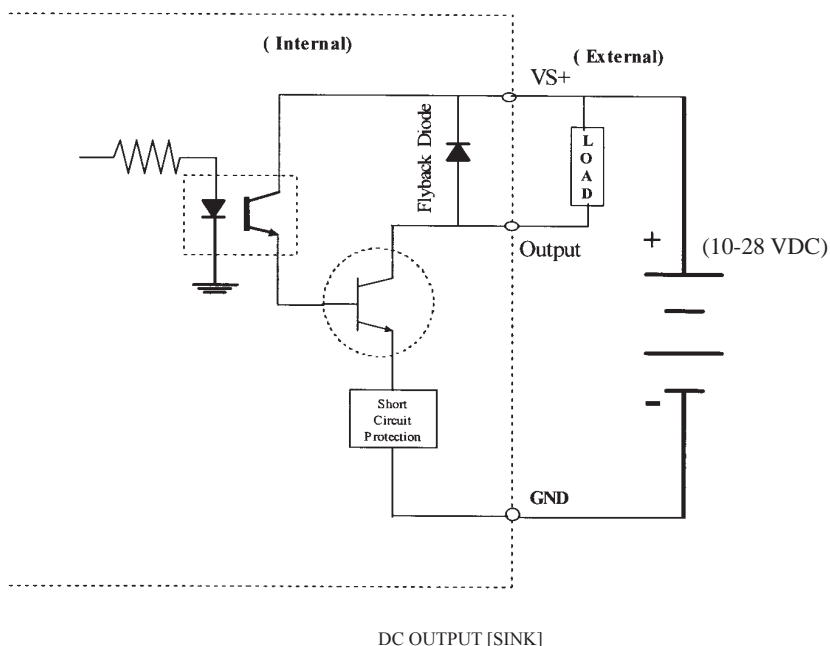
Conformal Coated



UTIO-8DCON

Terminal Block
300 Volt/10
Amp/14AWG UL
Rating

Pinout Information	
Pin No.	UTIO-8DCON
1	Output(1)
2	Output(2)
3	Output(3)
4	Output(4)
5	GND
6	Output(5)
7	Output(6)
8	Output(7)
9	Output(8)
10	GND
11	Customer_Supply(+VS)



Note: Pin 5 and Pin10 are the same point electrically